



# Lighting Best International Ltd.

## Product specification



**Model No.:LB-IM320 series**

**Product name:**

**300W-2400W LED modularized LED flood light, LED stadium lights, LED highmast lights**

# 1. Main picture



**single head  
200-400W**



**2 heads  
400-800W**



**3 heads  
600-1200W**



**4 heads  
800-1600W**



**6 heads  
1200-2400W**



**back view**

## 2. product feature

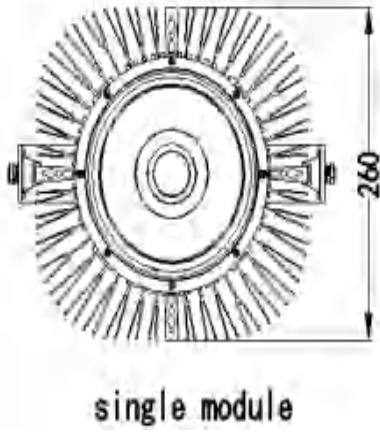
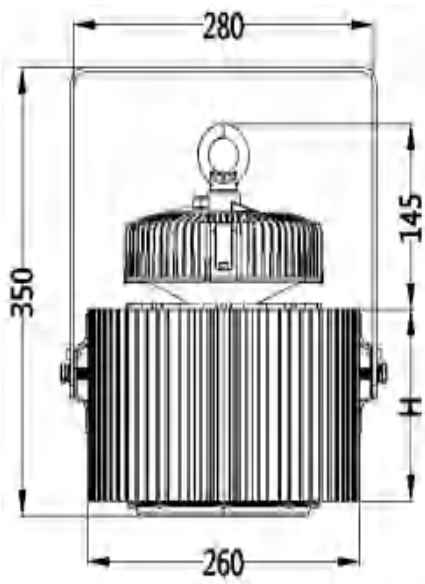
1. high quality extruded aluminum sun-flower pattern radiator, the heat dissipation system constructed by copper superconducting heat pipe, it makes this series of products specific and extraordinary heat transfer and heat dissipation effect, the product light decay is minimal; the lifetime is super long; and they very solid and durable;
2. with small upwind area, strong typhoon resistance;
3. modularized from 1 ~ 3 rows and 1 ~ 2 columns, total 1 ~ 3 modules, power ranged from 200 ~ 2400W;
4. built-in Professional Optical Design Aluminum Reflector, high optical efficiency reach 95%;
5. flip-chip COB light source, long lifetime low decay;
6. Optical toughened glass lens, dust-proof, corrosion-proof, anti-oxidation, weather resistance, strong marine resistance, wear resistance; easy to maintain;
7. IP grade : IP65;
8. UL listed.



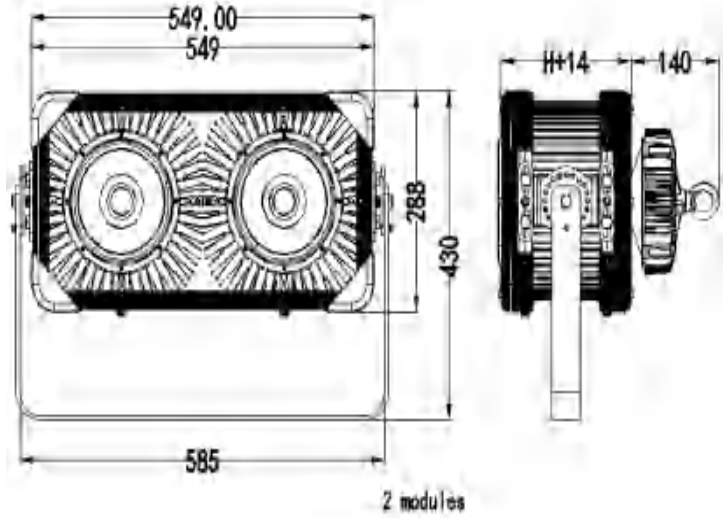
## 3. Quick Details

Keyword:	modularized Led high mast/flood/stadium light	Model Number(UL):	LB-IVB20-WAAA, LB-IVB20-WBBB LB-IVB20-WCCC, LB-IVB20-WDDD
modules power range	1 ~ 3 rows and 1 ~ 2 columns (total: 1 ~ 6) 200 ~ 2400W (about 200W ~ 400W/module)	optical structure design	optical glass combine with built-in aluminium reflector
support customize	yes	main material of Housing	extruded 6063 aluminums heatsink
typical Input Voltage(V):	AC100 ~ 240V, 50/60HZ	power factor	> 0.95
Driver Brand:	Meanwell/sosun/lightingbest/others	Extra function optional /Smart Functions:	Dimming/DALI /emergency lighting/ motion sensor/ZIGBEE intelligent control
Place of Origin:	China	product Brand:	lightingbest or customize
LED Chip Brand:	citizen/bridgelux/SANAN/others	Luminous Efficiency(lm/w):	max150LM/W ( when CCT6000K )
LED type	flip-chip COB	Beam angle:	30° / 60° / 120° options
Color Temperature(CCT):	3000k-6500k optional	CRI (Ra):	70 ~ 90 optional
lifetime(Hours)	50000	Warranty	1 ~ 5 Years
certificate	CE, Rohs, UL	IP Rating:	IP65 Waterproof
Working Temperature ( °C ) : storage temperature ( °C ) :	-35°C ~ +85°C -30°C ~ +50°C	Application:	high temperature area, Factory, Square, Parking Lot, advertising lighting, Garden, Public place, Exhibition Hall, stadium etc.
(1 module) (1*2=2 modules) packing (1*3=3 modules) (2*2=4 modules) (2*3=6 modules)	350x350x425 660x350x410 920x350x410 (mm) 660x575x495 920x655x495	N.W./G.W. (1 module) (1*2=2 modules) (1*3=3 modules) (2*2=4 modules) (2*3=6 modules)	9.5/10 24.3/25.5 32.8/34.3 (KG) 43.5/45 64.5/66.5

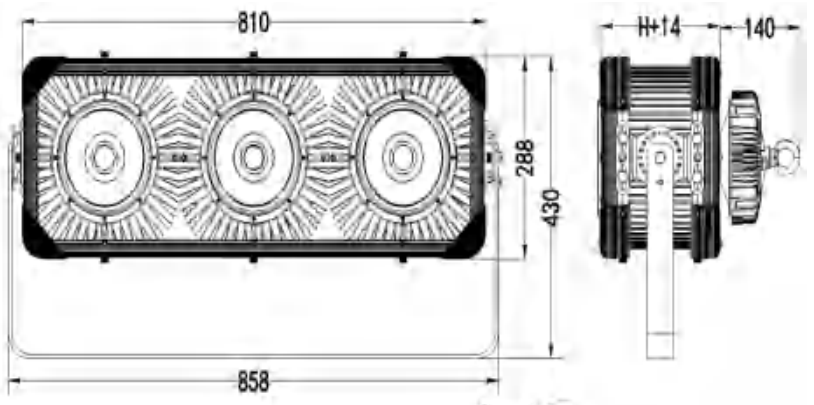
## 4.1 product dimension



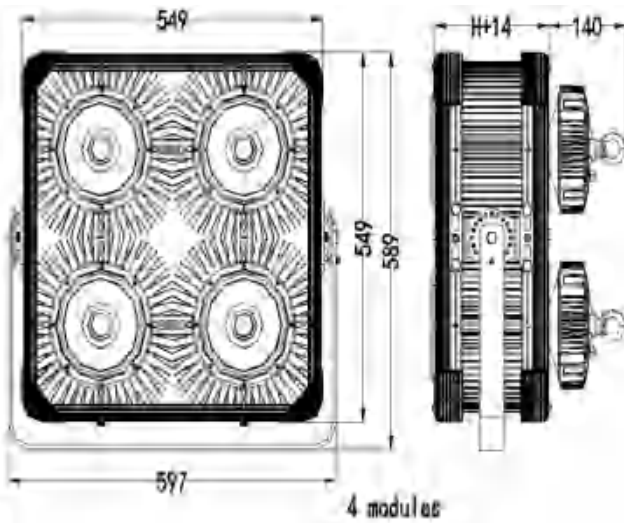
single module



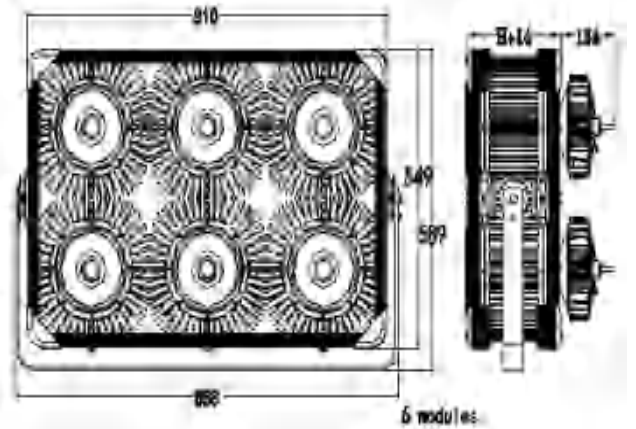
2 modules



3 modules



4 modules



6 modules

**Note: above "H" means the height of heatsink**

## 4.2 product structure (Suitable for single head)

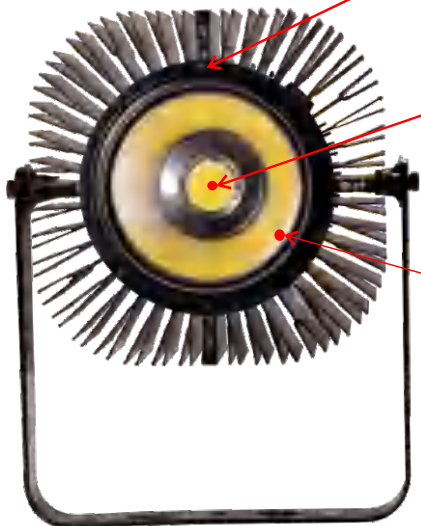


high quality extruded aluminium heatsink  
built-in copper heat pipe

built-in aluminum Reflector,  
professional Optical Design  
high optical efficiency reach 95%

antirust steel frame

all of visible screws is made of 316  
stainless steel screws



high quality flip-chip COB  
high Luminous efficiency  
reach to LM/W

high quality  
high transmittance ratio  
optical tempered glass lens

outdoor silicon cable,

antirust steel hook

water-proof connector



high quality LED driver  
LB/Inventor/susen/meanwell etc.

4mm thickness  
antirust steel U bracket,  
it can rotate 360°

antirust steel compass  
for mounting U bracket

## 4.3 product outer structure (for multi module)



high quality extruded aluminium heatsink  
built-in copper heat pipe

built-in aluminum Reflector,  
professional Optical Design  
high optical efficiency reach

antirust steel holder

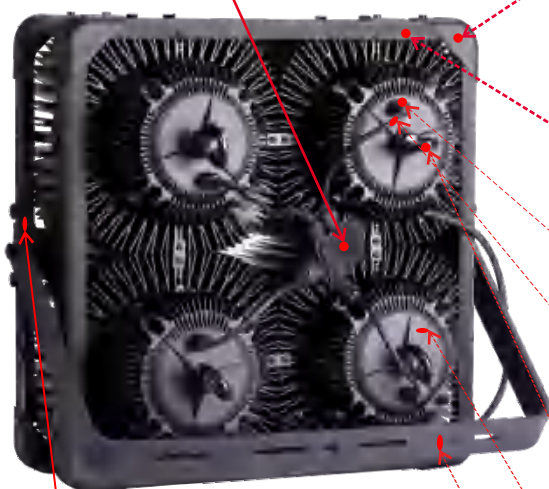
high quality flip-chip COB  
high Luminous efficiency  
reach to 150LM/W

high quality  
high transmittance ratio  
optical tempered glass lens

all of visible screws is made of 316  
stainless steel screws

water-proof  
junction box

die-cast protect corner



extruded aluminium  
frame bracket

water-proof connector

outdoor silicon cable,

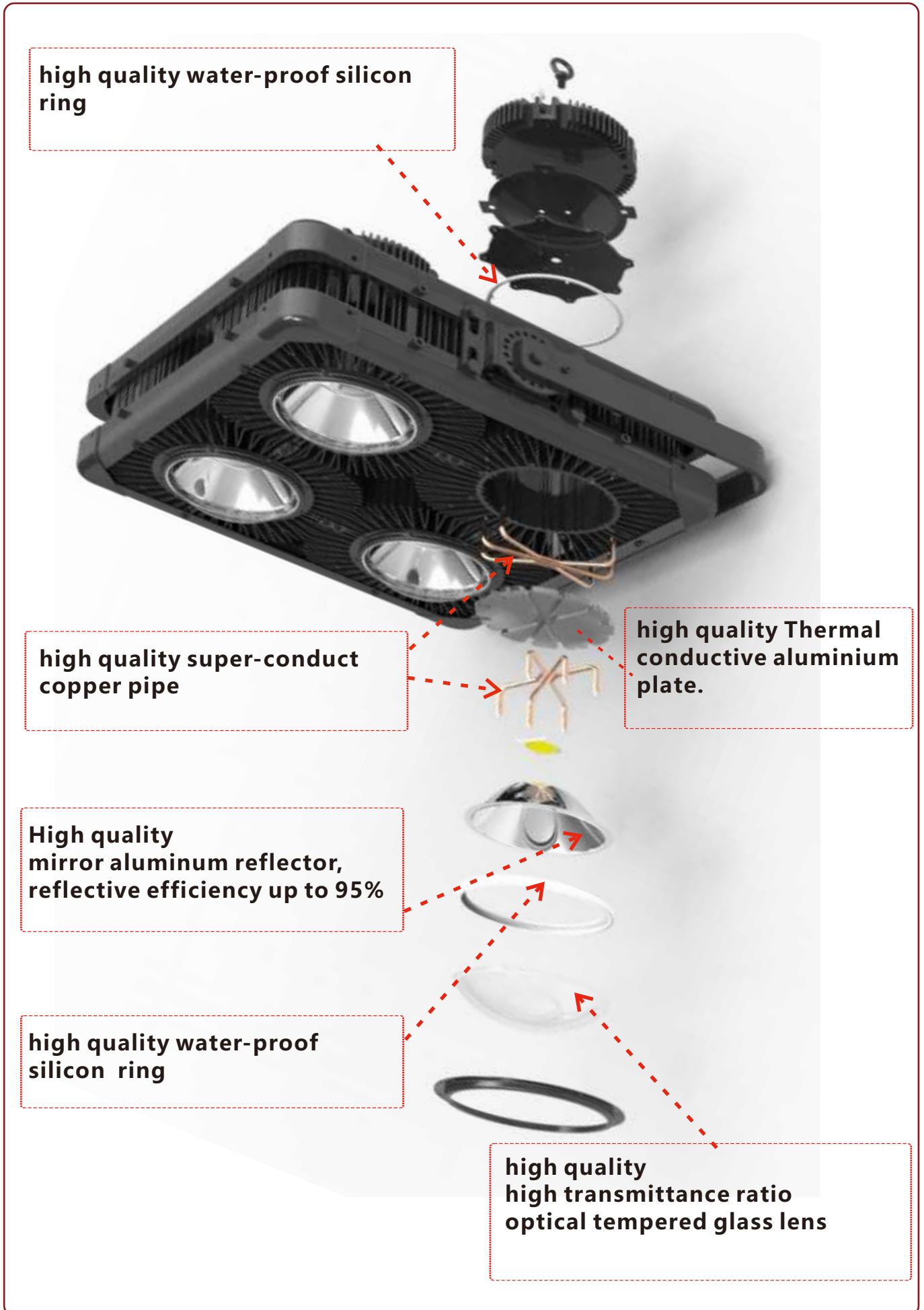
antirust steel hook

high quality LED driver  
LB/Inventor/susen/meanwell etc.

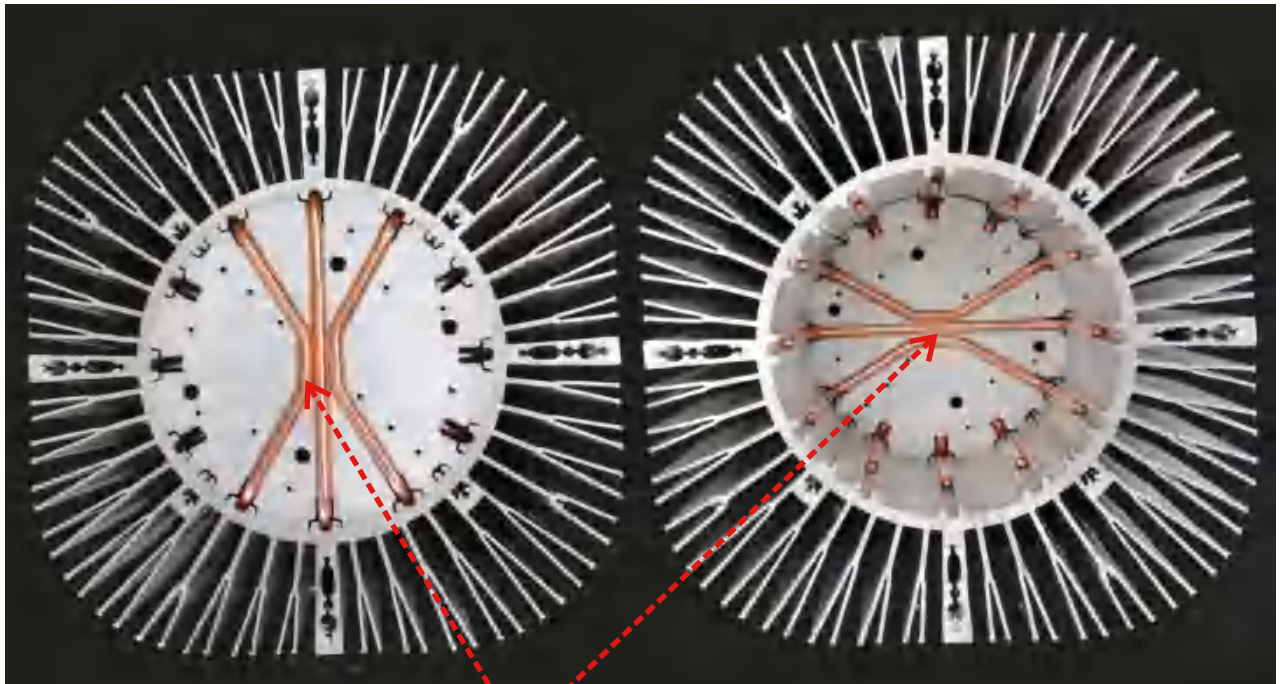
antirust steel compass  
for mounting U bracket

8mm thickness super strong  
antirust steel U bracket,  
it can rotate 360°

## 4.4 product inner special structure

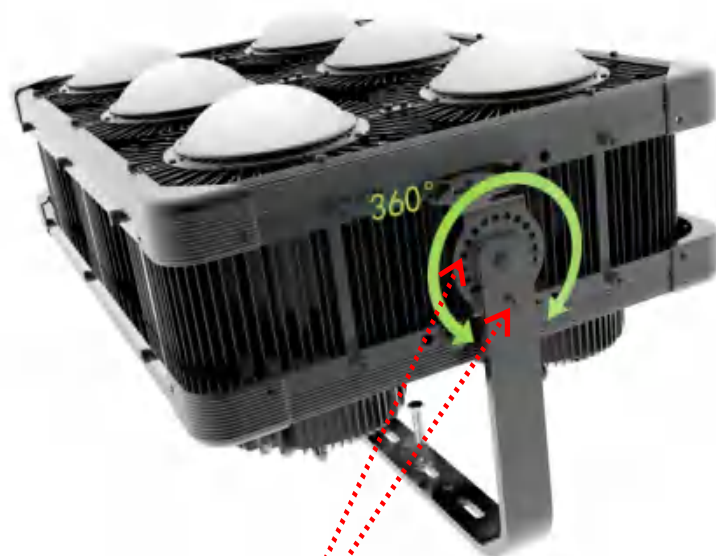


## 4.5 product details



the heatsink was made of high quality extruded 6063 aluminium , and it was built-in double-side Copper superconducting heat pipe, mkae it have strong ability of Heat dissipation and heat transfer, solve the big problem of heat and light decay of LED products.

## 4.6 easy installaion and 360° rotation



bracket can be rotated 360°and fixed as your expecting angle

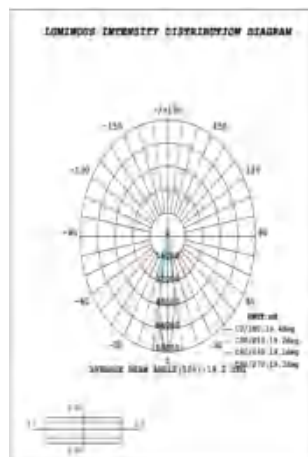
## 4.7 resist strong typhoon



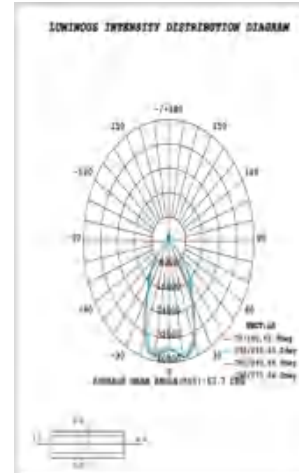
Product hollowed-out design, small windward area, can resist strong typhoon, very suitable for high pole, gymnasium, ports and other outdoor places lighting.



## 4.8 optical parameter and lights distributor curve

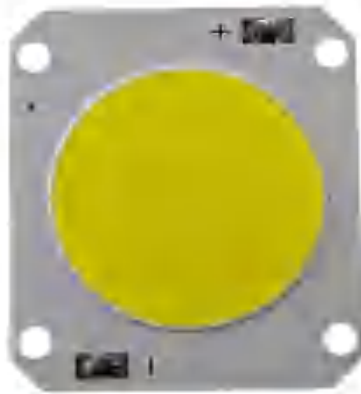


beam angle:20° when power:240W



beam angle:60° when power:400W

## 4.9 flip-chip COB light source, never burn out



never failed (burnt)  
more than 5years

### Flip-chip COB light source advantage

1. adopts vertical packaging structure, no sapphire heat dissipation layer, no golden wire welding, the chip is in direct contact with the heat dissipation base, so that the heat of the LED chip can be emitted quickly, can withstand higher temperature and load large electric current;
- 2.the size can be smaller, the optics are easier to design, especially for outdoor lighting with high power and small beam angle, this is much better than SMD lights;
3. since of better heat dissipation, so the lifetime of the chip has been improved a lot, light decay is smaller;
4. better of antistatic ability, more suitable for outdoor complicated environment of surrounded by other electrical appliances;
- 5.our company has adopted flip-chip COB light source for more than 5 years, it is never burnt, zero failure, if you use our flip-chip COB products, we promise the warranty of light source will extended 1 year based on the warranty of product.

## 4.10 IP grade:IP65

Structural waterproof  
real IP65



## 4.11 UL certificate

# CERTIFICATE OF COMPLIANCE

Certificate Number 20150211-E472884  
Report Reference E472884-20150129  
Issue Date 2015-FEBRUARY-11

Issued to: LIGHTING BEST INTERNATIONAL LTD  
ZONE A FL12,BLDG 22 CHUANGYE INDUSTRIAL ZONE  
SHAPUWEI COMMUNITY SONGGANG ST BAOAN  
SHENZHEN ,518104 CHINA

This is to certify that representative samples of LIGHT-EMITTING-DIODE SURFACE-MOUNTED LUMINAIRES Suitable for wet Locations, Models: LB-DM500-WAAA, LB-DM500-WBBB, LB-DM500-WAAA, LB-DM500-WBBB, LB-FS100-WAAA, LB-FS115-WAAA, LB-FS200-WAAA, LB-FS225-WAAA, LB-FS290-WAAA, LB-FS300-WAAA, LB-FS350-WAAA, LB-FS350-WBBB, LB-FS408-WAAA, LB-FS408-WBBB, LB-FS408-WCCC, LB-FS500-WAAA, LB-FS500-WBBB, LB-ID320-WCCC, LB-ID320-WDDD, LB-IM160-WAAA, LB-IM160-WBBB, LB-IM160-WCCC, LB-IM200-WAAA, LB-IM200-WBBB, LB-IM250-WAAA, LB-IM320-WAAA, LB-IM320-WBBB, LB-IM320-WCCC, LB-IM320-WDDD, LB-IS200-WBBB, LB-RS530-WAAA, LB-RS595-WAAA, LB-RS600-WAAA.

Have been investigated by UL in accordance with the Standard(s) indicated on this Certificate.

Standard(s) for Safety: UL 1598 and CSA C22.2 No. 250.0-08 - Luminaires  
UL 8750 - Light Emitting Diode (LED) Equipment for Use in Lighting Products

Additional information: See the UL Online Certifications Directory at [www.ul.com/database](http://www.ul.com/database) for additional information

Only those products bearing the UL Certification Mark should be considered as being covered by UL's Certification and Follow-Up Service.

Look for the UL Certification Mark on the product.

*Barthel*

Erica Mahoney, Assistant Chief Engineer, Global Inspection and Field Services

UL LLC

Any information and documentation involving UL Mark services are provided on behalf of UL LLC (UL) or any authorized licensee of UL. For questions, please contact a local UL Customer Service Representative at [www.ul.com/contact](http://www.ul.com/contact).



# 4.12 CE/Rohs/IP65certificatate

Certificate - Сертификат - 증명서 - 證明書 - Certificat - 證書

Shenzhen ZKT Technology Co., Ltd.  
1/F, No. 101, Building B, No. 6, Tangqian Community Industrial Avenue,  
Fuhai Street, Bao'an District, Shenzhen, China



## Certificate of Compliance

Certificate Number: ZKT-24062010231C

**Certificate's Holder** : Lighting Best International Limited  
F12, bldg 22(Pujing Semiconductor Ind.Park),Chuangye Ind. Zone, Shapuwai Community, Songgang St, Baoan, Shenzhen

**Manufacturer** : Lighting Best International Limited  
F12, bldg 22(Pujing Semiconductor Ind.Park),Chuangye Ind. Zone, Shapuwai Community, Songgang St, Baoan, Shenzhen

**Trade Mark** : N/A

**Product** : LED Flood Light

**Model(s)** : LB-FS100-WAAA  
LB-FS115-WAAA, LB-FS225-WAAA, LB-FS250-WAAA, LB-FS200-WAAA, LB-FS300-WAAA, LB-FS350-WAAA, LB-FS380-WBBB, LB-FS405-WAAA, LB-FS408-WBBB, LB-FS408-WCCC, LB-FS600-WAAA, LB-FS600-WBBB, LB-IM160-WAAA, LB-IM160-WBBB, LB-IM160-WCCC, LB-IM200-WAAA, LB-IM200-WBBB, LB-IM250-WAAA, LB-IM320-WAAA, LB-IM320-WBBB, LB-IM320-WCCC, LB-IM320-WDDD, LB-DM500-WAAA, LB-DM500-WBBB

**Test Standard** : EN 60529:1991+A1:2000+A2:2013

This Attestation of Conformity is issued on a voluntary basis for electrical equipment below the voltage limit of Low Voltage Directive 2014/00/EU. The essential requirements are fulfilled accordingly based on the technical specifications applicable at the time of issuance. See also notes overleaf. It is only valid in connection with the test report number: ZKT-04002010231S.

### IP65



This Certificate of Conformity is based on the self-declaration of the submitted category of the stated residential product. It does not imply an assessment of the stated product and relevant. Conformity to be assessed.

☎ +86-400 000 0070    📠 +86-0755-22122888    🌐 info@zkt.com.cn    🌐 www.zkt.com.cn

Certificate - Сертификат - 증명서 - 證明書 - Certificat - 證書

Shenzhen ZKT Technology Co., Ltd.  
1/F, No. 101, Building B, No. 6, Tangqian Community Industrial Avenue,  
Fuhai Street, Bao'an District, Shenzhen, China



## Certificate of Compliance

Certificate Number: ZKT-24062010230C

**Certificate's Holder** : Lighting Best International Limited  
F12, bldg 22(Pujing Semiconductor Ind. Park),Chuangye Ind. Zone, Shapuwai Community, Songgang St, Baoan, Shenzhen

**Manufacturer** : Lighting Best International Limited  
F12, bldg 22(Pujing Semiconductor Ind. Park),Chuangye Ind. Zone, Shapuwai Community, Songgang St, Baoan, Shenzhen

**Trade Mark** : N/A

**Product** : LED Flood Light

**Model(s)** : LB-FS100-WAAA  
LB-FS115-WAAA, LB-FS225-WAAA, LB-FS250-WAAA, LB-FS200-WAAA, LB-FS300-WAAA, LB-FS350-WAAA, LB-FS380-WBBB, LB-FS405-WAAA, LB-FS408-WBBB, LB-FS408-WCCC, LB-FS600-WAAA, LB-FS600-WBBB, LB-IM160-WAAA, LB-IM160-WBBB, LB-IM160-WCCC, LB-IM200-WAAA, LB-IM200-WBBB, LB-IM250-WAAA, LB-IM320-WAAA, LB-IM320-WBBB, LB-IM320-WCCC, LB-IM320-WDDD, LB-DM500-WAAA, LB-DM500-WBBB

**Test Method** : IEC 62321-5:2015 IEC 62321-4:2013+A1:2017  
IEC 62321-7:2017a IEC 62321-6:2015b IEC 62321-2:2017  
IEC 62321-3-1:2013 & IEC 62321-7-1:2015

The following product have been tested by us and found in conformity with the (RoHS) Directive 2011/65/EU Annex II amending Annex I (EU)2015/863 and Amending Annex (EU)2017/2003. It is possible to use CE Marking to demonstrate the conformity with this Directive (It is only valid in connection with the test report number: ZKT-04002010230P.

### RoHS



This Certificate of Conformity is based on the self-declaration of the submitted category of the stated residential product. It does not imply an assessment of the stated product and relevant. Conformity to be assessed.

☎ +86-400 000 0070    📠 +86-0755-22122888    🌐 info@zkt.com.cn    🌐 www.zkt.com.cn

Certificate - Сертификат - 증명서 - 證明書 - Certificat - 證書

Shenzhen ZKT Technology Co., Ltd.  
1/F, No. 101, Building B, No. 6, Tangqian Community Industrial Avenue,  
Fuhai Street, Bao'an District, Shenzhen, China



## Certificate of Compliance

Certificate Number: ZKT-24062010228C

**Certificate's Holder** : Lighting Best International Limited  
F12, bldg 22(Pujing Semiconductor Ind. Park),Chuangye Ind. Zone, Shapuwai Community, Songgang St, Baoan, Shenzhen

**Manufacturer** : Lighting Best International Limited  
F12, bldg 22(Pujing Semiconductor Ind. Park),Chuangye Ind. Zone, Shapuwai Community, Songgang St, Baoan, Shenzhen

**Trade Mark** : N/A

**Product** : LED Flood Light

**Model(s)** : LB-FS100-WAAA  
LB-FS115-WAAA, LB-FS225-WAAA, LB-FS250-WAAA, LB-FS200-WAAA, LB-FS300-WAAA, LB-FS350-WAAA, LB-FS380-WBBB, LB-FS405-WAAA, LB-FS408-WBBB, LB-FS408-WCCC, LB-FS600-WAAA, LB-FS600-WBBB, LB-IM160-WAAA, LB-IM160-WBBB, LB-IM160-WCCC, LB-IM200-WAAA, LB-IM200-WBBB, LB-IM250-WAAA, LB-IM320-WAAA, LB-IM320-WBBB, LB-IM320-WCCC, LB-IM320-WDDD, LB-DM500-WAAA, LB-DM500-WBBB

**Test Standard** : EN 62493:2015+A1:2022  
EN 60588-2-5:2015  
EN IEC 60588-1:2021+A11:2022  
EN IEC 62931:2020+A11:2021

This Attestation of Conformity is issued on a voluntary basis for electrical equipment below the voltage limit of Low Voltage Directive 2014/00/EU. The essential requirements are fulfilled accordingly based on the technical specifications applicable at the time of issuance. See also notes overleaf. It is only valid in connection with the test report number: ZKT-04002010228S.

### CE



This Certificate of Conformity is based on the self-declaration of the submitted category of the stated residential product. It does not imply an assessment of the stated product and relevant. Conformity to be assessed.

☎ +86-400 000 0070    📠 +86-0755-22122888    🌐 info@zkt.com.cn    🌐 www.zkt.com.cn

Certificate - Сертификат - 증명서 - 證明書 - Certificat - 證書

Shenzhen ZKT Technology Co., Ltd.  
1/F, No. 101, Building B, No. 6, Tangqian Community Industrial Avenue,  
Fuhai Street, Bao'an District, Shenzhen, China



## Certificate of Compliance

Certificate Number: ZKT-24062010225C

**Certificate's Holder** : Lighting Best International Limited  
F12, bldg 22(Pujing Semiconductor Ind. Park),Chuangye Ind. Zone, Shapuwai Community, Songgang St, Baoan, Shenzhen

**Manufacturer** : Lighting Best International Limited  
F12, bldg 22(Pujing Semiconductor Ind. Park),Chuangye Ind. Zone, Shapuwai Community, Songgang St, Baoan, Shenzhen

**Trade Mark** : N/A

**Product** : LED Flood Light

**Model(s)** : LB-FS100-WAAA  
LB-FS115-WAAA, LB-FS225-WAAA, LB-FS250-WAAA, LB-FS200-WAAA, LB-FS300-WAAA, LB-FS350-WAAA, LB-FS380-WBBB, LB-FS405-WAAA, LB-FS408-WBBB, LB-FS408-WCCC, LB-FS600-WAAA, LB-FS600-WBBB, LB-IM160-WAAA, LB-IM160-WBBB, LB-IM160-WCCC, LB-IM200-WAAA, LB-IM200-WBBB, LB-IM250-WAAA, LB-IM320-WAAA, LB-IM320-WBBB, LB-IM320-WCCC, LB-IM320-WDDD, LB-DM500-WAAA, LB-DM500-WBBB

**Test Standard** : EN IEC 58076:2019+A11:2020, EN IEC 61847:2023  
EN IEC 61000-3-2:2019(A1):2021(A2):2024,  
EN 61000-3-3:2013(A1):2019(A2):2021  
EN 61001-4-2:2009, EN IEC 61000-4-3:2020,  
EN 61000-4-4:2012, EN 61000-4-5:2014+A1:2017,  
EN IEC 61000-4-6:2023, EN 61000-4-7:2019,  
EN IEC 61000-4-11:2020

This Attestation of Compliance is issued on a voluntary basis for electrical equipment below the voltage limit of EMC Directive 2014/00/EU. The essential requirements are fulfilled accordingly based on the technical specifications applicable at the time of issuance. See also notes overleaf. It is only valid in connection with the test report number: ZKT-04002010225E.

### CE

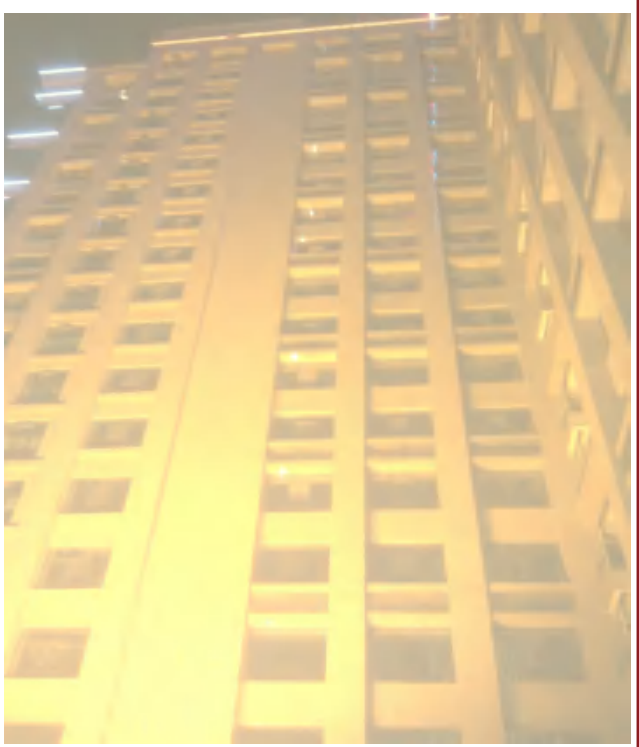
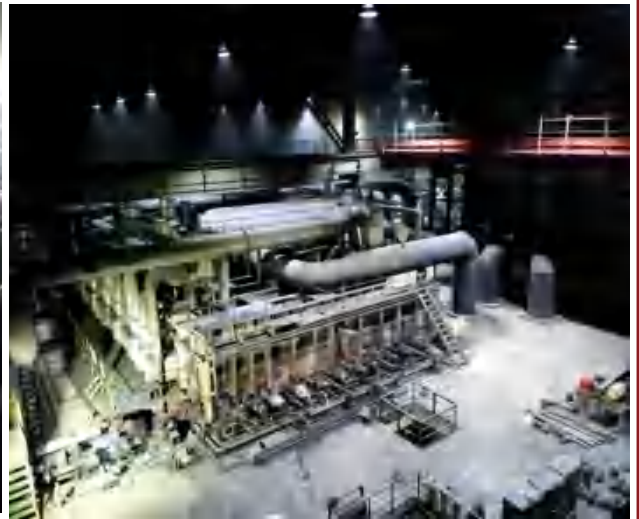


This Certificate of Conformity is based on the self-declaration of the submitted category of the stated residential product. It does not imply an assessment of the stated product and relevant. Conformity to be assessed.

☎ +86-400 000 0070    📠 +86-0755-22122888    🌐 info@zkt.com.cn    🌐 www.zkt.com.cn

## 5. application scene

general:Tunnel,Highway,Gas Station,Factory, Warehouse, Workshop, Square, Parking Lot, Supermarket, advertising lighting, Garden,Public place etc.



## 6 packing



## 6. Contact us

mobile/wechat/whatsapp/skype(same number)

**+86 13316916698**