



Lighting Best International Ltd.

Product specification



Model No.:LB-WM085-WXXX

Product name:

**6W-120W LED machine work light
(wall washer light)**

1.Main picture



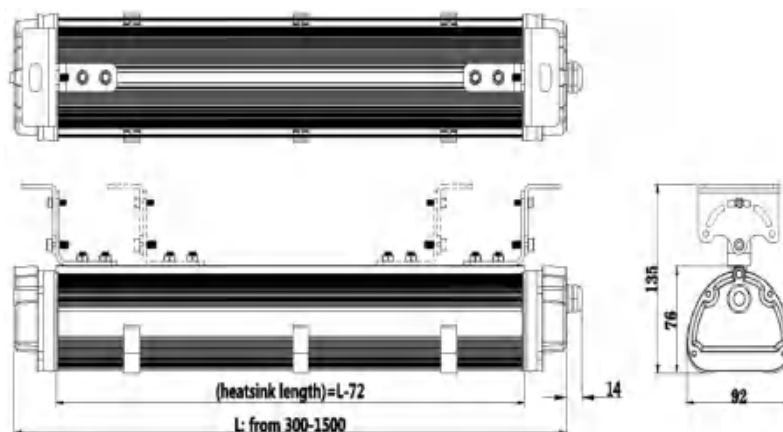
2.product feature

1. IP68 structure waterproof design, the heatsink adopts the high quality extruded 6063 aluminum, Its length can be cut from 0.3m~ 1.5M or according to customer's request , the end cover adopts the high quality aluminum alloy(ADC12) die casting, the ultra transparency toughened glass, fine heat dissipation effect and the waterproof structure design, the product is beautiful, solid and durable;
2. light source has a variety of options: SMD5050/3030/2835、 CREE/XTE etc., and a variety of angles of lens to be available;
3. it is widely use as machine work lights, wall washer, walkway lights;
4. IP grade:IP68.

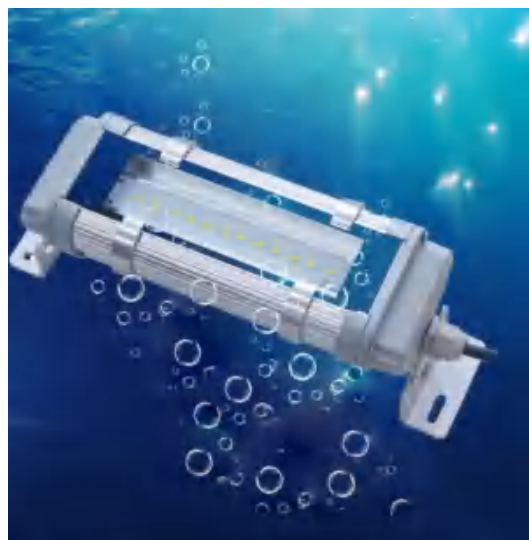
3.Quick Details

| | | | |
|--|---|--------------------------|---|
| Keyword: | LED machine work lights LED wall washer LED walkway lights | Working Temperature(°C): | 35 ~ 60 |
| Model Number: | LB-WM085-W***-L*** | storage temperature | -30°C ~ +50°C |
| power range | 6 ~ 120W | main material of Housing | Die-cast of Aluminum and glass lens |
| length range | 0.3 ~ 1.5M | IP Rating: | IP68 Waterproof |
| power factor | > 0.95 | Place of Origin: | China |
| Color Temperature(CCT): | 3000k-6500k optional | product Brand: | lightingbest or customize |
| LED type | SMD3030/SMD2835 | Application: | Tunnel,advertising lighting, wall washer, machine work light, walkway light etc. |
| LED Chip Brand: | cree/philips/osram/others | Warranty | 3-Year |
| Luminous Efficiency(lm/w): | max160LM/W(when CCT6000K) | CCT available | 3000K/4000K/5000K/5700K/6500K |
| Extra function optional /Smart Functions: | dimnable,RGB,emergency | Beam angle: | 15° /30° /60° /100° |
| support customize | yes | Driver Brand: | sosun/lightingbest/others |
| CRI (Ra>): | 70 ~ 90 optional | certificate | CE、Rohs |
| Input Voltage(V): | AC100 ~ 277V/50/60HZ | | |
| packing size(mm) | (LB-WM085-L030):120*100*320 (LB-WM085-L060):120*100*620 (LB-WM085-L090):120*100*920 (LB-WM085-L120):120*100*1220 (LB-WM085-L150):120*100*1520 | N.W./G.W. (kg) | (LB-WM085-L030):1.1/1.4 (LB-WM085-L060):1.8/2.2 (LB-WM085-L090):2.6/3.1 (LB-WM085-L120):3.4/4.0 (LB-WM085-L150):4.4/5.2 |

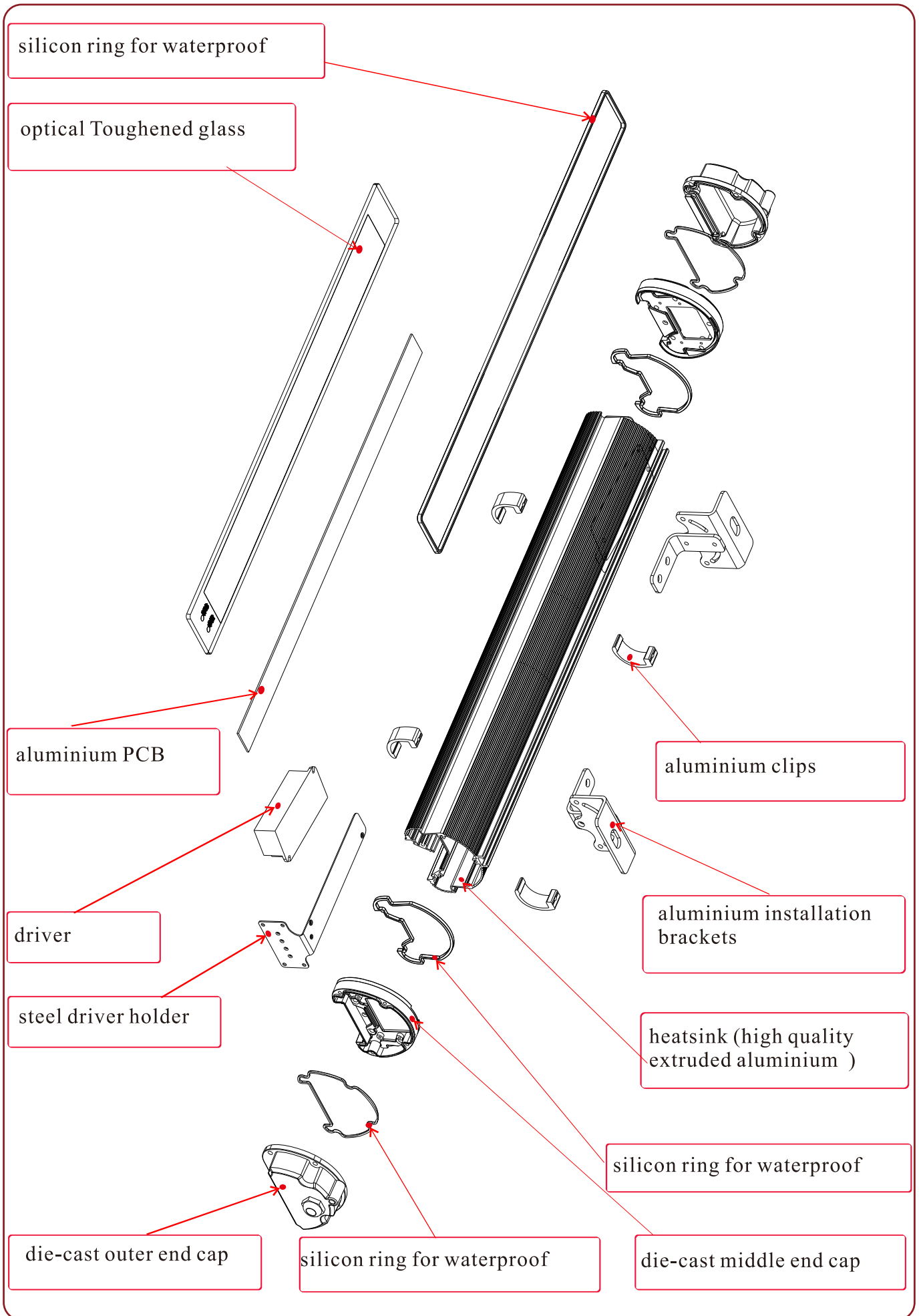
4.1 product diemension



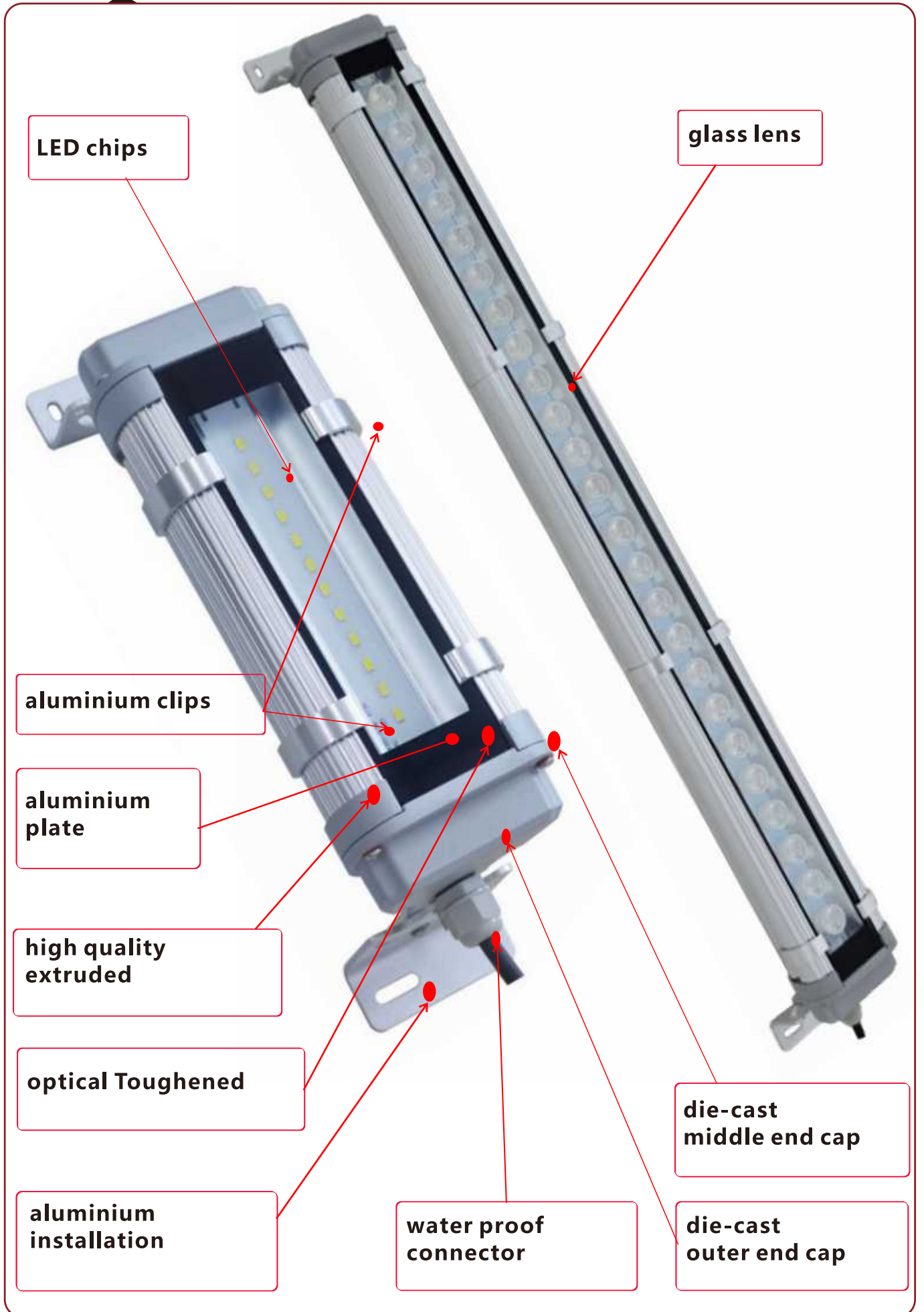
4.2 IP grade:IP68



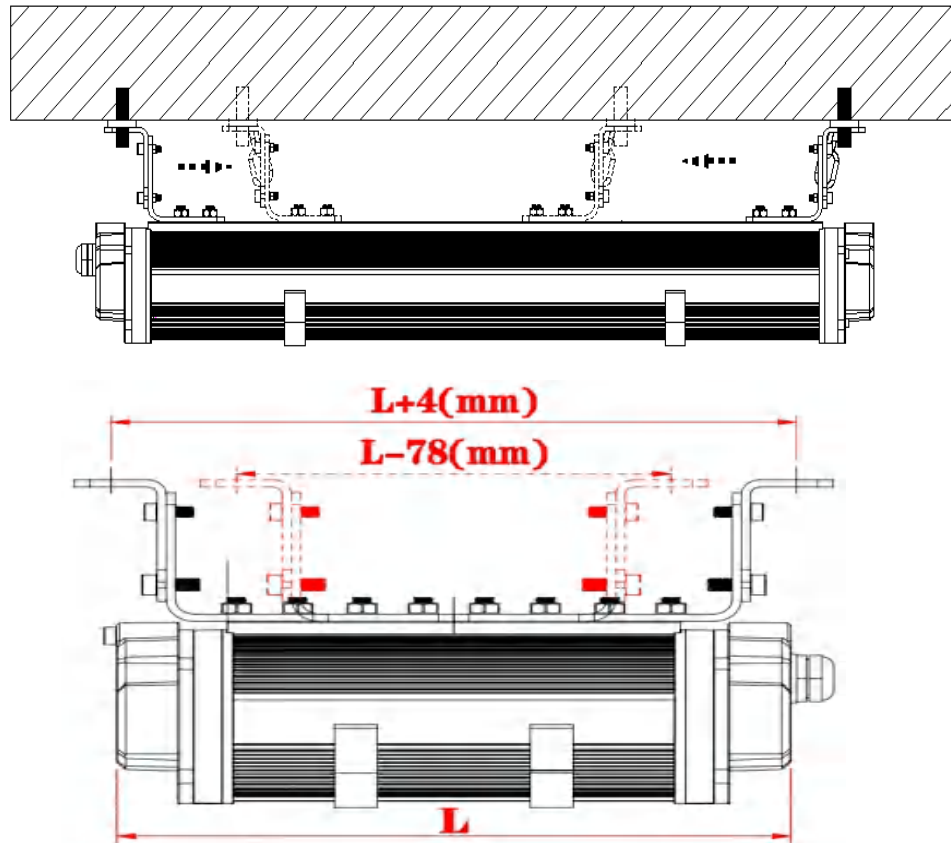
4.3 product main components



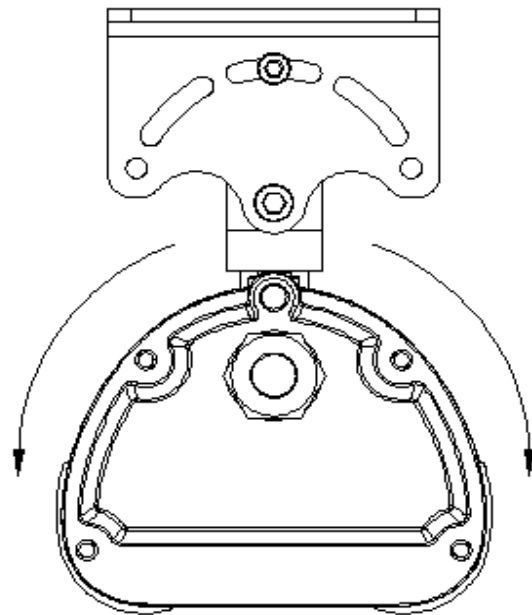
4.4 product structure



4.5 mounting bracket can be moved widely



4.6 product can be rotated to 150° to light where you want



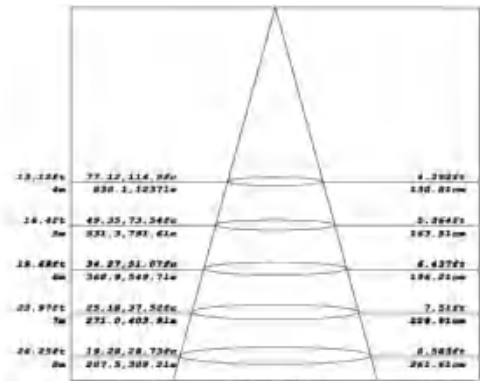
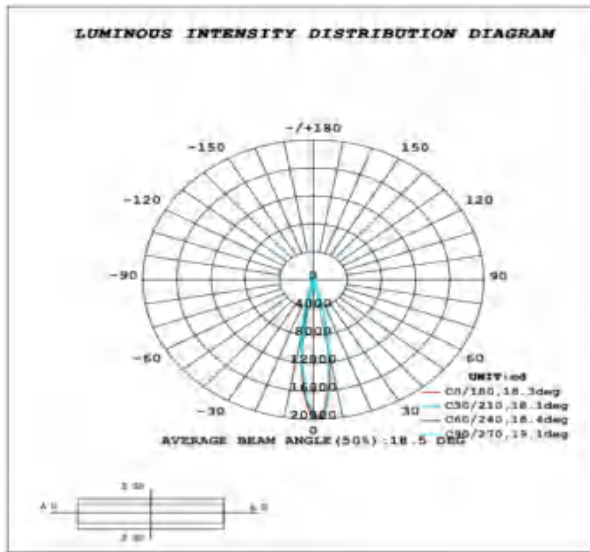
product can be rotated 150°

Counterclockwise clockwise

75°

75°

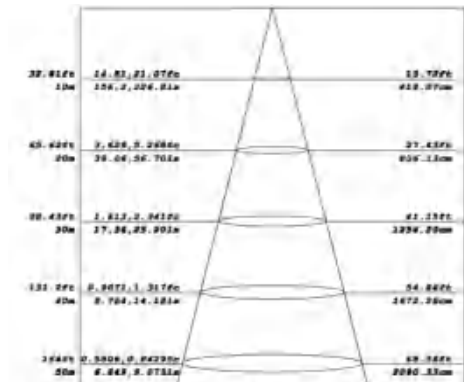
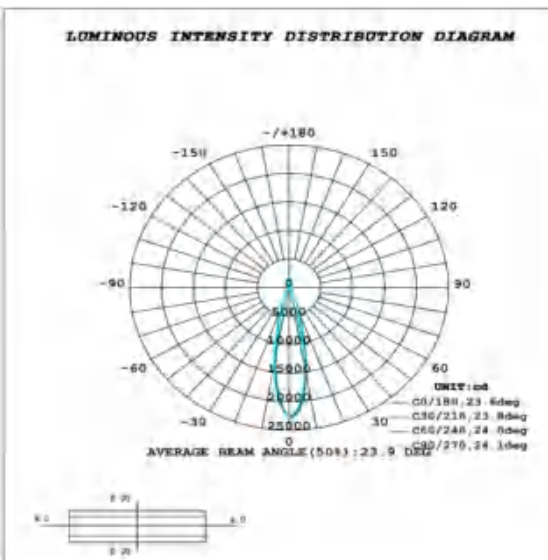
4.7 Partial optical parameter and lights distribution curve



C Range: 0 - 360000
 C Interval: 30.0000
 Feet Speed: 1200
 Temperature: 25.0000
 Operator: 51
 Test Date: 2019-01-29

Y Range: 0 - 100000
 Y Interval: 1.0000
 Feet System: EVERFINE 60-2000_V1 SYSTEM V3.0.274
 Humidity: 65.00
 Test Distance: 7.87m (25.80ft)
 Remarks:

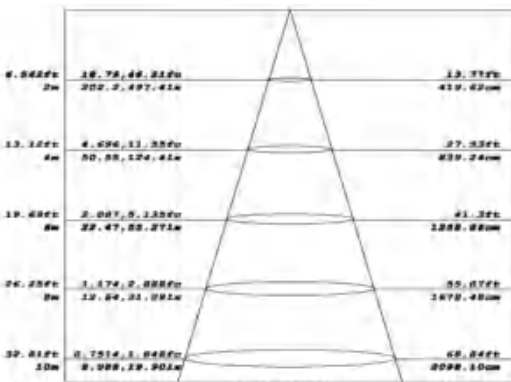
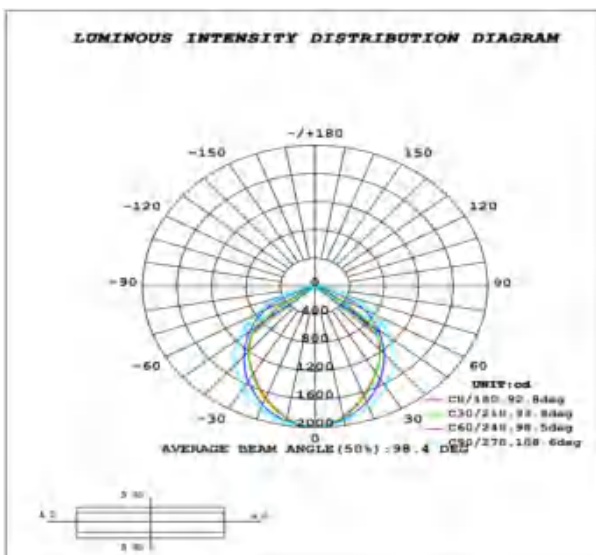
when power:36W
 beam angle:20°



C Range: 0 - 360000
 C Interval: 30.0000
 Feet Speed: 1200
 Temperature: 25.0000
 Operator: 51
 Test Date: 2019-01-21

Y Range: 0 - 100000
 Y Interval: 1.0000
 Feet System: EVERFINE 60-2000_V1 SYSTEM V3.0.274
 Humidity: 65.00
 Test Distance: 7.87m (25.80ft)
 Remarks:

when power:60W
 beam angle:25°



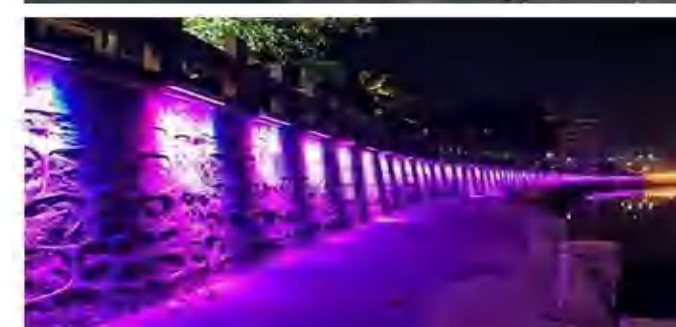
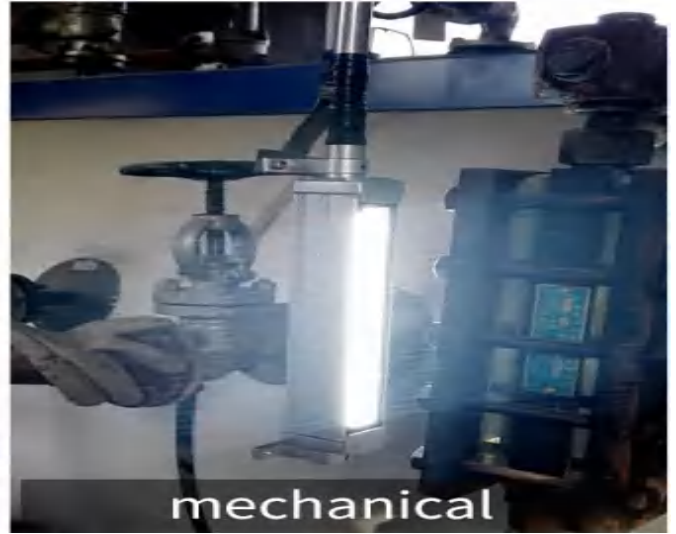
C Range: 0 - 360000
 C Interval: 30.0000
 Feet Speed: 1200
 Temperature: 25.0000
 Operator: 520
 Test Date: 2019-03-15

Y Range: 0 - 100000
 Y Interval: 1.0000
 Feet System: EVERFINE 60-2000_V1 SYSTEM V3.0.274
 Humidity: 65.00
 Test Distance: 7.87m (25.80ft)
 Remarks:

when power:36W
 beam angle:100°

5 application scene

general application: Tunnel, advertising lighting, wall washer, machine working light etc.



6. packing



7. contact us

mobile/wechat/whatsapp/skype(same number)

+86 13316916698