



Lighting Best International Ltd.

Product specification



Model No.:LB-IS3201-Wxxx

Product name:

**300W-600W LED flood light/ stadium
lights/highmast lights**

1. Main picture



(power:300-400W)



(power:400-600W)



SMD3030 light source
(when 120° Beam angle)



front view

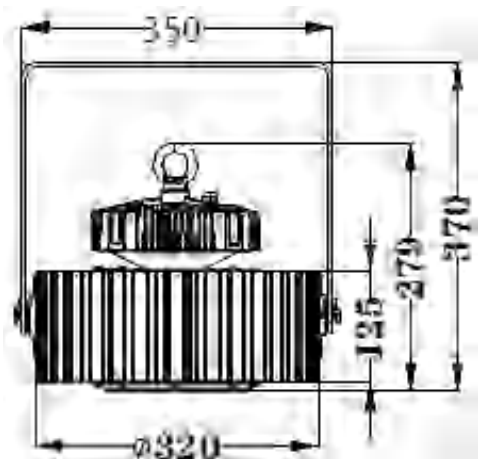
2. product feature

1. high quality extruded aluminum sun-flower pattern radiator, the heat dissipation system constructed by copper superconducting heat pipe, it makes this series of products specific and extraordinary heat transfer and heat dissipation effect, the product light decay is minimal; the lifetime is super long; and they very solid and durable;
2. with small upwind area, strong typhoon resistance;
3. built-in Professional Optical Design Aluminum Reflector, high optical efficiency reach 95%;
4. Flip-chip light source, vertical heat dissipation structure, light source failure rate is almost 0%, long life, low decay;
5. Optical toughened glass lens, dust-proof, corrosion-proof, anti-oxidation, weather resistance, strong marine resistance, wear resistance; easy to maintain;
6. IP grade : IP65;
7. UL listed.

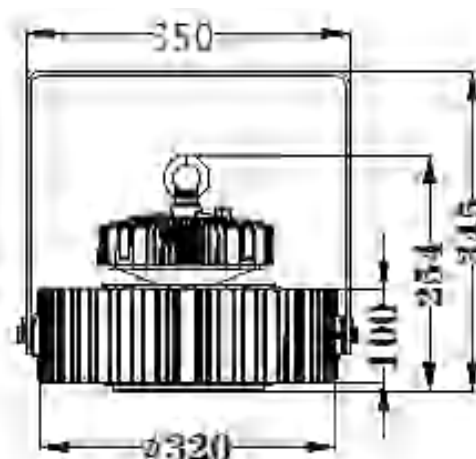
3.Quick Details

Keyword:	LED flood / stadium/highmast lights	Model Number(UL):	LB-IS320-WAAA
power range	300 ~ 600W	optical structure design	optical glass combine with built-in aluminium reflector
support customize	yes	main material of Housing	extruded 6063 aluminum heatsink
typical Input Voltage(V):	AC100 ~ 240V, 50/60HZ	power factor	> 0.95
Driver Brand:	Meanwell/sosun/lightingbest/others	Extra function optional /Smart Functions:	Dimming/DALI /emergency lighting/ motion sensor/ZIGBEE intelligent control
Place of Origin:	China	product Brand:	lightingbest or customize
LED Chip Brand:	citizen/bridgelux/SANAN/others	Luminous Efficiency(lm/w):	max150LM/W(when CCT6000K)
LED type	flip-chip COB/SMD3030(when 120° Beam angle)	Beam angle:	30° / 60° / 120° options
Color Temperature(CCT):	3000k~6500k optional	CRI (Ra>):	70 ~ 90 optional
lifetime(Hours)	50000	Warranty	1 ~ 5 Years
certificate	CE、Rohs、UL	IP Rating:	IP65 Waterproof
Working Temperature(°C): storage temperature(°C):	-35°C ~ +60°C -30°C ~ +50°C	Application:	Factory, Square,Parking Lot, advertising lighting, Garden, Public place, Exhibition hall, stadium etc.
packing (mm)	power:300W power:400W power:500W power:600W	360*360*400 360*360*425 360*360*450 360*360*475	N. W. /G. W. (KG) power:300W power:400W power:500W power:600W
			9.0 /10.0 10.0 /11.0 11.5 /12.5 12.5 /13.5

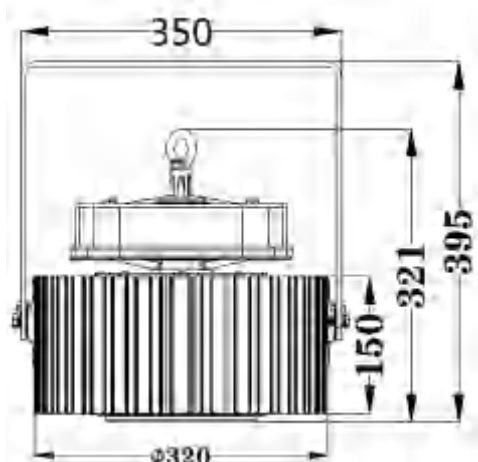
4.1 product diemension



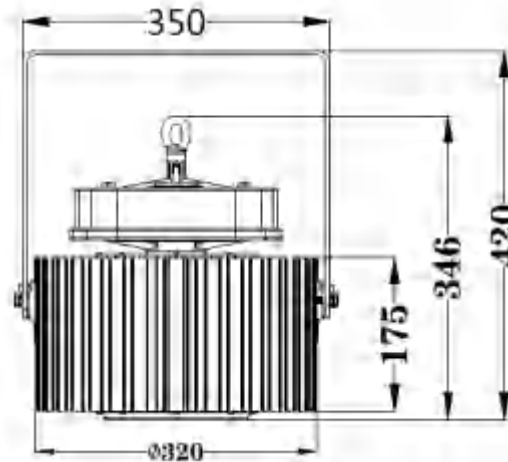
power:300W



power:400W

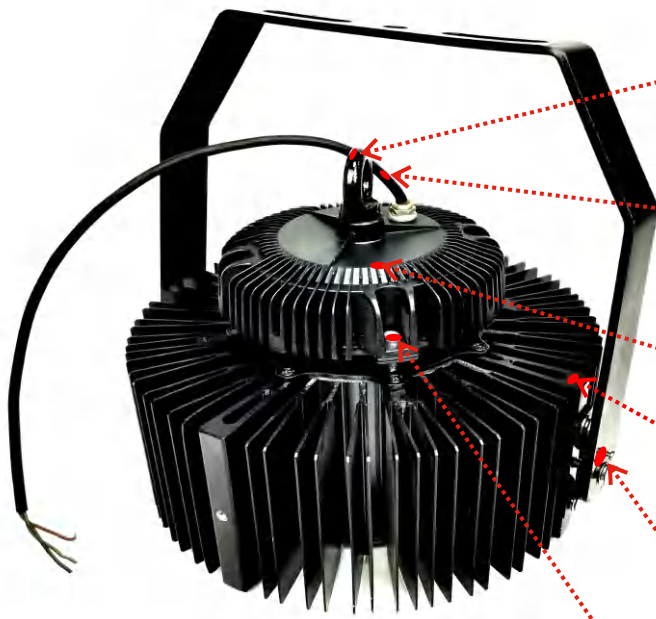


power:500W



power:600W

4.2 product structure



steel hook

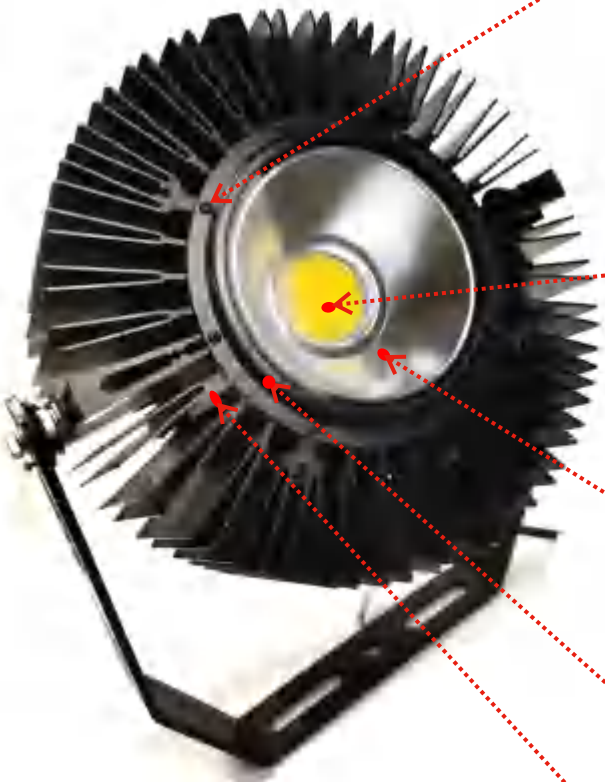
outdoor silicon cable

die-cast driver housing

high quality extruded
aluminium heatsink

5mm thickness steel U
bracket

all of visible screws is made
of 316 stainless



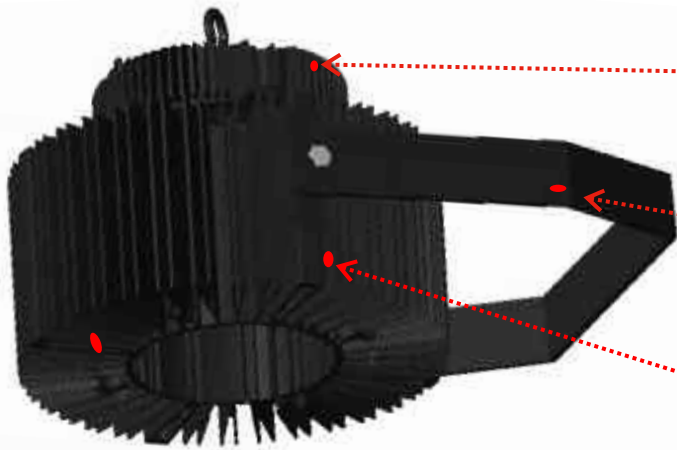
high quality flip-chip COB
high Luminous efficiency
reach to 150LM/W

high quality high efficiency
aluminium reflector

high quality
high transmittance ratio
optical tempered glass lens

antirust steel holder

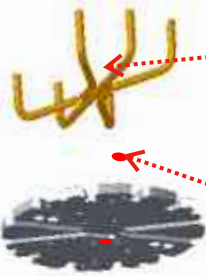
4.3 product inner special structure



die-cast driver housing

5mm thickness steel U bracket

high quality extruded aluminium heatsink



high quality super-conduct copper pipe

high quality Thermal conductive aluminium plate.



high quality flip-chip COB
high Luminous efficiency
reach to 150LM/W



High quality mirror aluminum reflector, reflective efficiency up to 95%



high quality
high transmittance ratio
optical tempered glass lens

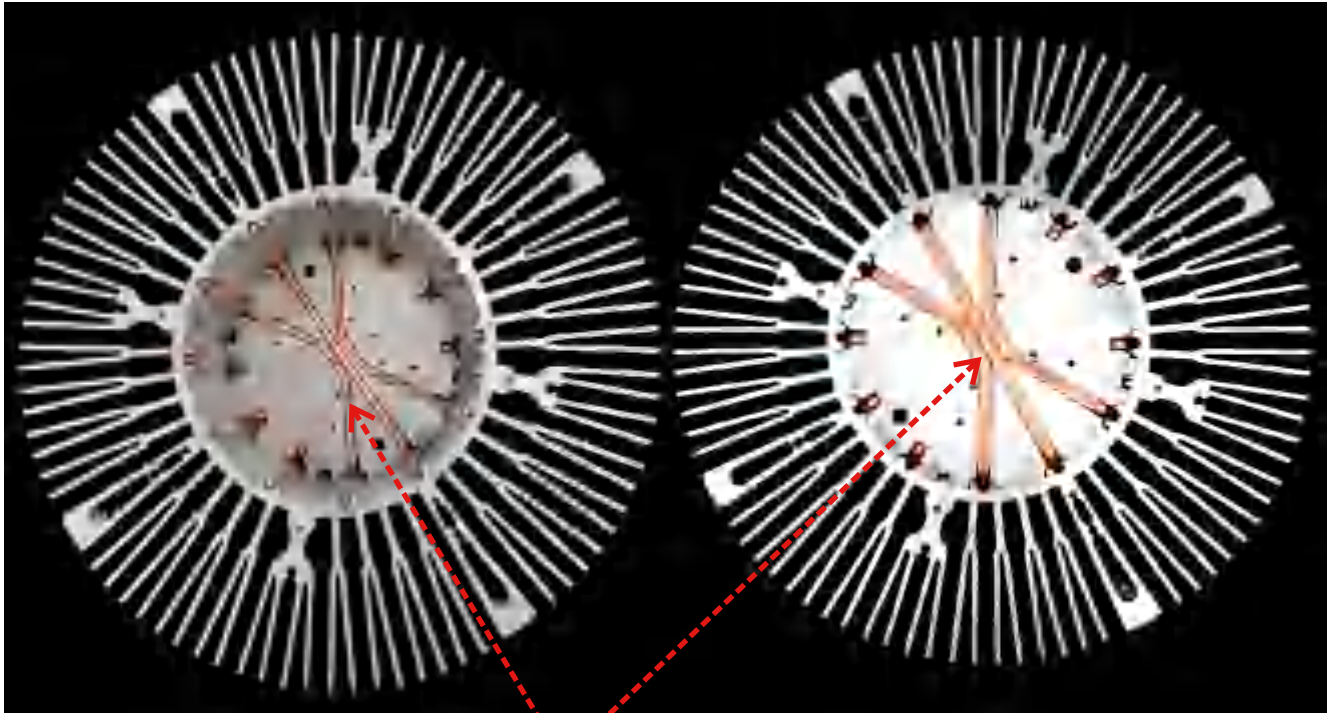


high quality water-proof silicon ring



antirust steel holder

4.2 product details (the heat dissipation system constructed by copper superconducting heat pipe)



the heatsink was made of high quality extruded 6063 aluminium , and it was built-in double-side Copper superconducting heat pipe, mkae it have strong ability of Heat dissipation and heat transfer, solve the big problem of heat and light decay of LED products.

4.6 easy installaion and 360° rotation

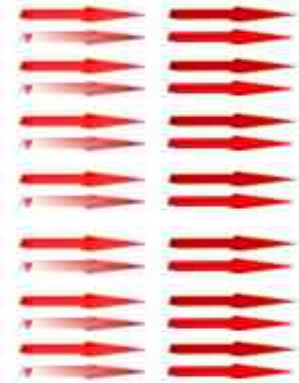
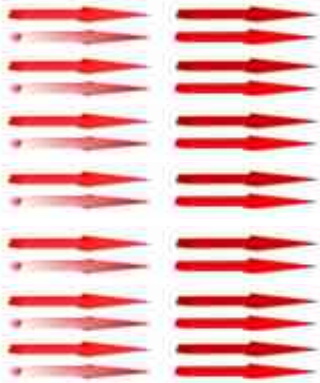


bracket can be rotated 360° and fixed at your expecting angle, easy to install

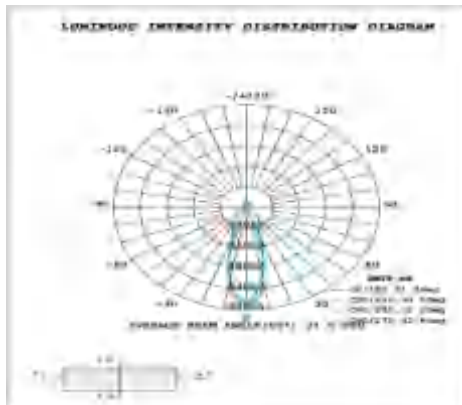
4.7 resist strong typhoon



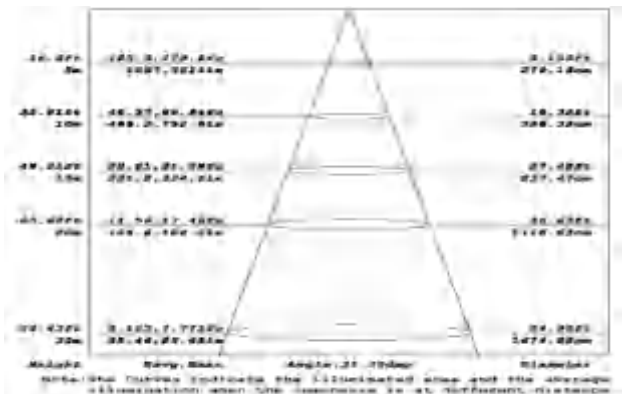
Product hollowed-out design, small windward area, can resist strong typhoon, very suitable for high pole, gymnasium, ports and other outdoor places lighting.



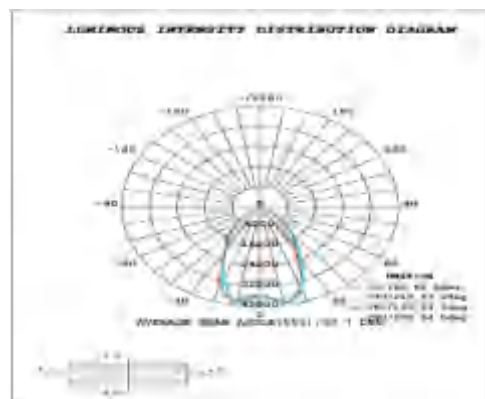
4.8 optical parameter and lights distributor curve



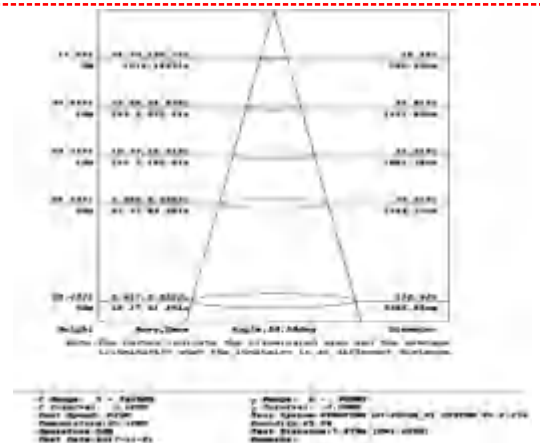
beam angle:30°



when power:500W

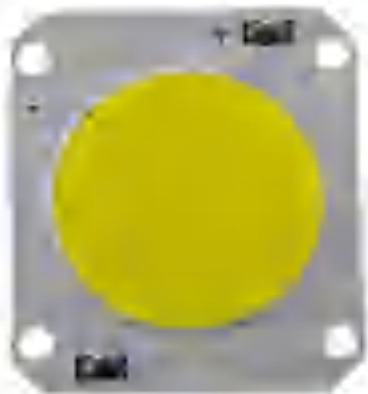


beam angle:60°



when power:400W

4.9 flip-chip COB light source, never burn out



never failed (burnt)
warranty: (over 5 years)

Flip-chip COB light source advantages

1. adopts vertical packaging structure, no sapphire heat dissipation layer, no golden wire welding, the chip is in direct contact with the heat dissipation base, so that the heat of the LED chip can be emitted quickly, can withstand higher temperature and load large electric current;
2. the size can be smaller, the optics are easier to design, especially for outdoor lighting with high power and small beam angle; this is much better than SMD lights;
3. since of better heat dissipation, so the lifetime of the chip has been improved a lot, light decay is smaller;
4. better of antistatic ability, more suitable for outdoor complicated environment of surrounded by other electrical appliances;
5. our company has adopted flip-chip COB light source for more than 5 years, it is never burnt, zero failure, if you use our flip-chip COB products, we promise the warranty of light source will extend 1 year based on the warranty of product.

4.10 IP grade:IP65



4.11 UL certificate

CERTIFICATE OF COMPLIANCE

Certificate Number 20141211-E472884
Report Reference E472884-20141130
Issue Date 2014-DECEMBER-11

Issued to: Lighting Best International Ltd
Zone A F112, Bldg 22 Chuangye Industrial Zone
Shapuwei Community Songgang St Baoan
Shenzhen, 518104 CHINA

This is to certify that representative samples of LIGHT-EMITTING-DIODE SURFACE-MOUNTED LUMINAIRES.
Light-emitting-diode surfade-mounted Luminaires,
Models LB-IM160-WCCC, LB-IS160-WAAA, LB-IS160-WBBB,
LB-IS160-WCCC, LB-IS200-WAAA, LB-IS250-WAAA, LB-
IS320-WAAA, LB-TD450-WAAA, LB-FS200-WAAA, LB-ID320-
WBBB.

Have been investigated by UL in accordance with the Standard(s) indicated on this Certificate.

Standard(s) for Safety: UL 1598 AND CSA C22.2 No. 250.0-08, Luminaires,
UL 8750, Standard For Light Emitting Diode (LED) Equipment
For Use In Lighting Products

Additional information: See the UL Online Certifications Directory at
www.ul.com/database for additional information

Only those products bearing the UL Certification Mark should be considered as being covered by UL's Certification and Follow-Up Service.

Look for the UL Certification Mark on the product.

This is to certify that representative samples of the product as specified on this certificate were tested according to the current UL requirements.



Bruce Matthews, Assistant Chief Engineer, Global Inspection and Field Services

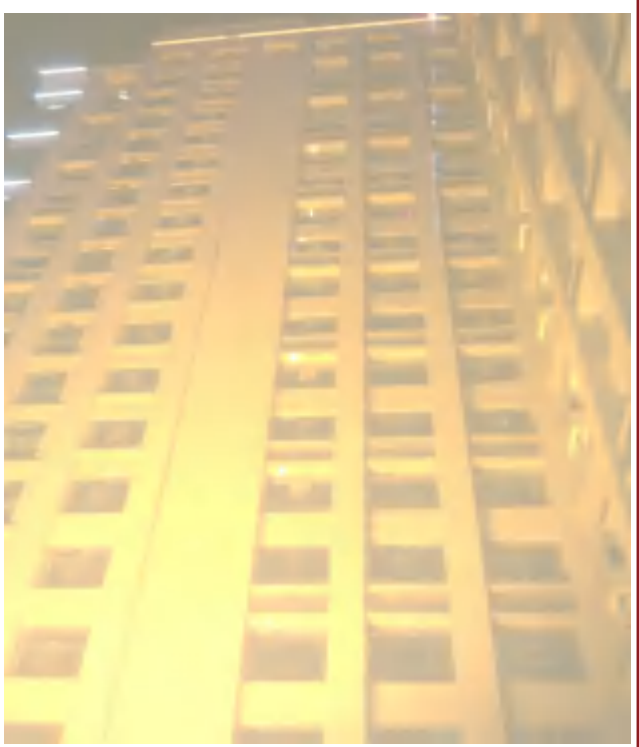
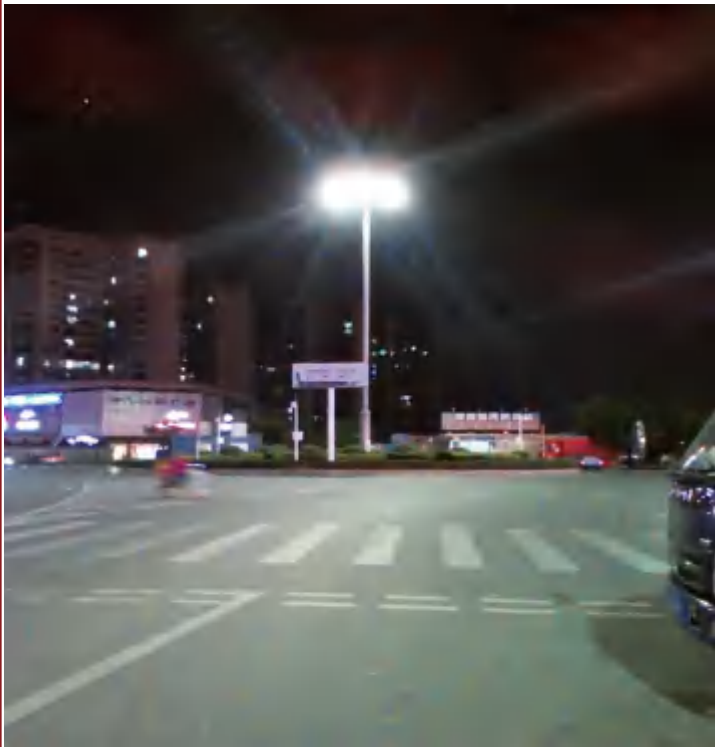
UL LLC

Any information and documentation involving UL Mark services are provided on behalf of UL LLC (UL) or any authorized Licensee of UL. For questions, please contact a local UL Customer Service Representative at 1800.446.8923.



5. application scene

general:Tunnel,Highway,Gas Station,Factory, Warehouse, Workshop, Square, Parking Lot, Supermarket, advertising lighting, Garden,Public place etc.



6 packing



7. Contact us

mobile/wechat/whatsapp/skype(same number)

+86 13316916698